

Challenge

Background

- Customer had an older horizontal main press experienced excessive leakage which impacted production, required unplanned maintenance shutdown, and posed environmental and safety issues
- OEM rubber v-rings performed poorly, required constant adjustment, and replacement every 2 years

Goal

Operate the press leak-free while working towards a scheduled preventative maintenance program every few years.



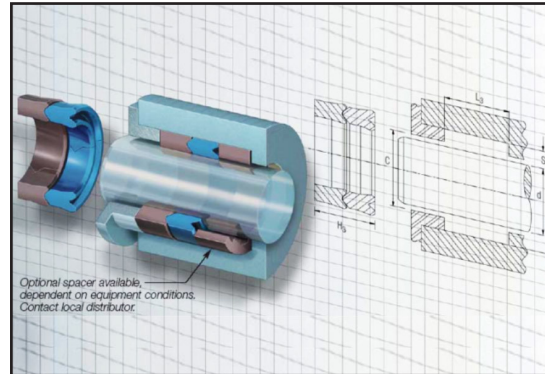
SCHLOEMANN 7700T Forging Press 900 mm ram, 450 bar, 50,000 cycle/month.

Solution

Recommendation

A complete split sealing solution for the two large main rams on the press that eliminated the need to completely disassemble the equipment during rebuild.

- Installed dual-component patented **Chesterton 11K** seal designed for use in slightly worn equipment
- Incorporated stabilizer ring, an anti-extrusion ring to help offset excessive equipment clearances, and a wiper to keep contaminants from entering the system



Installed Chesterton 11K Sealing System (AWC 800/805) - lower durometer for use in worn equipment.

Results

Improved Performance & Reliability

- Press was still operating leak-free after 6 years
- Eliminated oil leakage on the main ram, addressing environmental and safety issues while improving production

MTBR improvements: 3X

The customer has since implemented a preventative maintenance program to ensure that the press remains in good operating condition and production is uninterrupted.



Chesterton 11K EZ Stack Pack - patented split design eases installation and minimizes downtime.